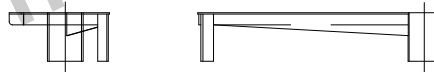
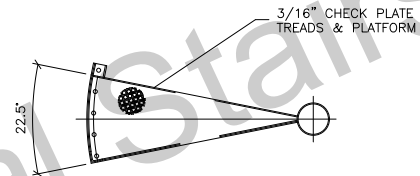
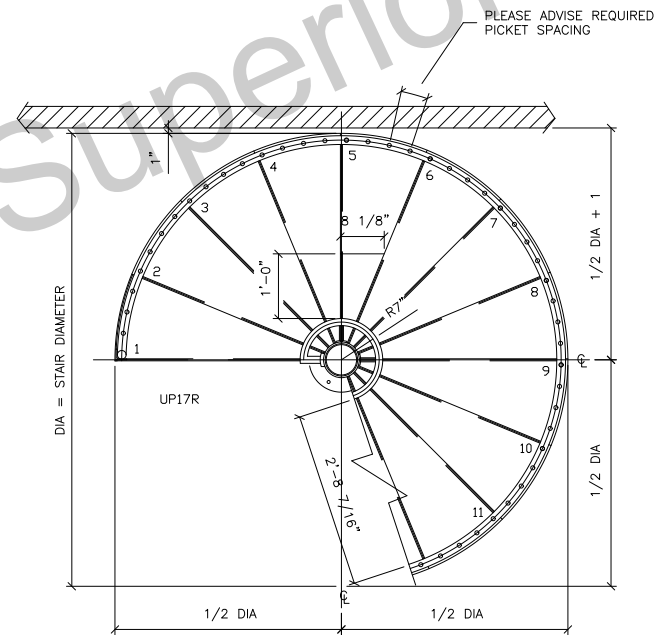


TYPICAL PLAN AT UPPER LEVEL

PLATFORMS FABRICATED TO SQUARE, ROUND, OR SPECIAL SHAPES.



TYPICAL TREAD



TYPICAL PLAN AT LOWER LEVEL

THIS DRAWING IS OUR INTERPRETATION OF WHAT IS NECESSARY TO MEET YOUR SPECIFICATIONS AND CONDITIONS ON THIS JOB. CUSTOMER IS RESPONSIBLE FOR COMPLIANCE WITH ANY APPLICABLE LOCAL CODES.



Superior Spiral Stairs



CUSTOMER:

PROJECT:

REVISIONS

DESIGN: 201

SCALE: 3/4"=1'-0"

DIAMETER: 7'-0"

CUSTOMER NO. -

DEGREE: 22 1/2

SHEET 1 OF 1

HAND: L.H

DRAWING NO.

DRAWN BY: DMB 01/02/04

W-0009

CHECKED BY: -