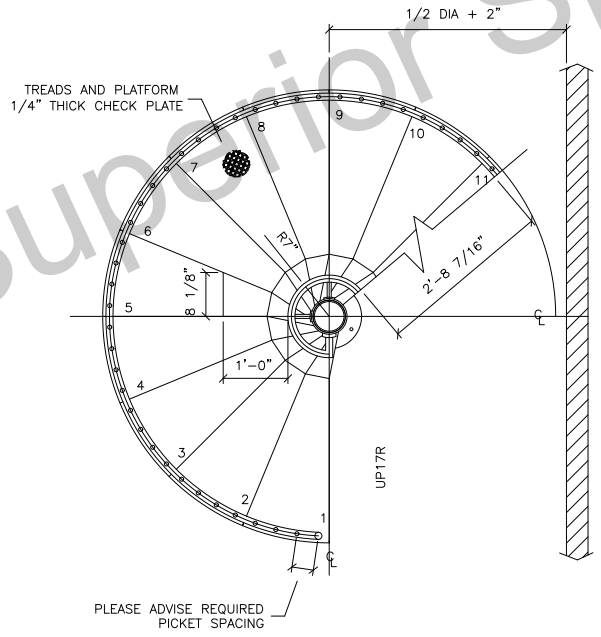
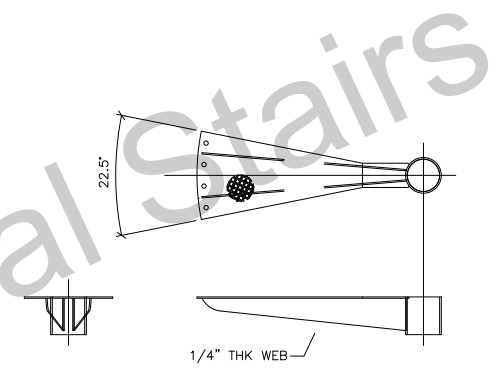


TYPICAL PLAN AT UPPER LEVEL

PLATFORMS FABRICATED TO SQUARE, ROUND, OR SPECIAL SHAPES.



TYPICAL PLAN AT LOWER LEVEL

THIS DRAWING IS OUR INTERPRETATION OF WHAT IS NECESSARY TO MEET YOUR SPECIFICATIONS AND CONDITIONS ON THIS JOB. CUSTOMER IS RESPONSIBLE FOR COMPLIANCE WITH ANY APPLICABLE LOCAL CODES.

| | | | | | |
|-----------|-----------|---------------|-----------------------|----------------|-------------------|
| CUSTOMER: | REVISIONS | | | DESIGN: 131 | SCALE: 3/4"=1'-0" |
| | A | TSM 12/24/03 | DIAMETER: 7'-0" | CUSTOMER NO. - | |
| PROJECT: | | | DEGREE: 22 1/2 | SHEET 1 OF 1 | |
| | | | HAND: L.H | DRAWING NO. | |
| | | | DRAWN BY: TSM 8/23/02 | | W-0005 |
| | | CHECKED BY: - | | | |