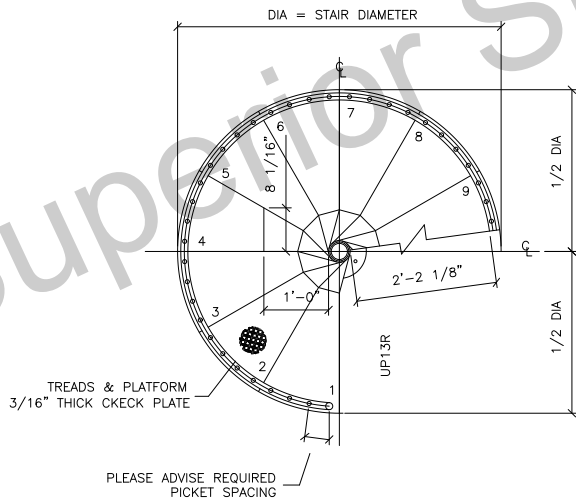
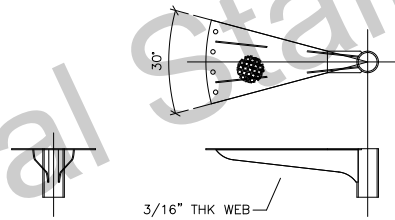


TYPICAL PLAN AT UPPER LEVEL

LOFT CONDITION SHOWN, FOR OTHER CONDITIONS THE MINIMUM WELL OPENING IS STAIR DIAMETER +4".

PLATFORMS FABRICATED TO SQUARE, ROUND, OR SPECIAL SHAPES.



TYPICAL PLAN AT LOWER LEVEL

THIS DRAWING IS OUR INTERPRETATION OF WHAT IS NECESSARY TO MEET YOUR SPECIFICATIONS AND CONDITIONS ON THIS JOB. CUSTOMER IS RESPONSIBLE FOR COMPLIANCE WITH ANY APPLICABLE LOCAL CODES.



Superior Spiral Stairs



CUSTOMER:

PROJECT:

REVISIONS	DESIGN:	SCALE:
A	TSM 12/23/03	3/4"=1'-0"
	DIAMETER: 5'-0"	CUSTOMER NO. -
	DEGREE: 30°	SHEET 1 OF 1
	HAND: L.H	DRAWING NO.
	DRAWN BY: TSM 8/22/02	W-0004
	CHECKED BY: -	