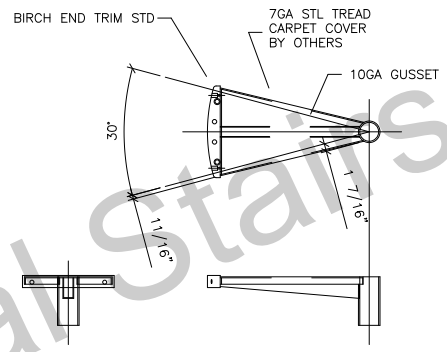
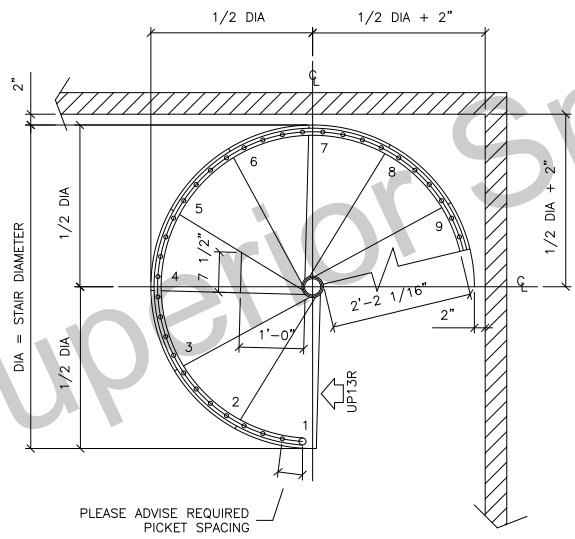


TYPICAL PLAN AT UPPER LEVEL

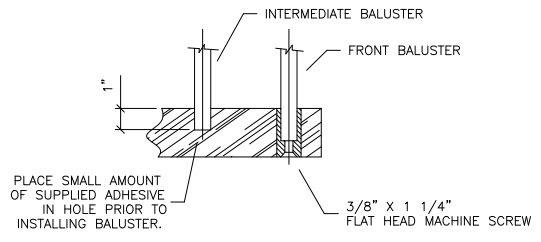
PLATFORMS FABRICATED TO SQUARE, ROUND, OR SPECIAL SHAPES.



TYPICAL TREAD



TYPICAL PLAN AT LOWER LEVEL



BALUSTER DETAIL

THIS DRAWING IS OUR INTERPRETATION OF WHAT IS NECESSARY TO MEET YOUR SPECIFICATIONS AND CONDITIONS ON THIS JOB. CUSTOMER IS RESPONSIBLE FOR COMPLIANCE WITH ANY APPLICABLE LOCAL CODES.

CUSTOMER:		DESIGN: 165		SCALE: 3/4"=1'-0"	
PROJECT:		DIAMETER: 5'-0"		CUSTOMER NO. -	
		DEGREE: 30°		SHEET 1 OF 1	
		HAND: L.H		DRAWING NO.	
		DRAWN BY: PAR 8/26/02		W-0007	
		CHECKED BY: -			